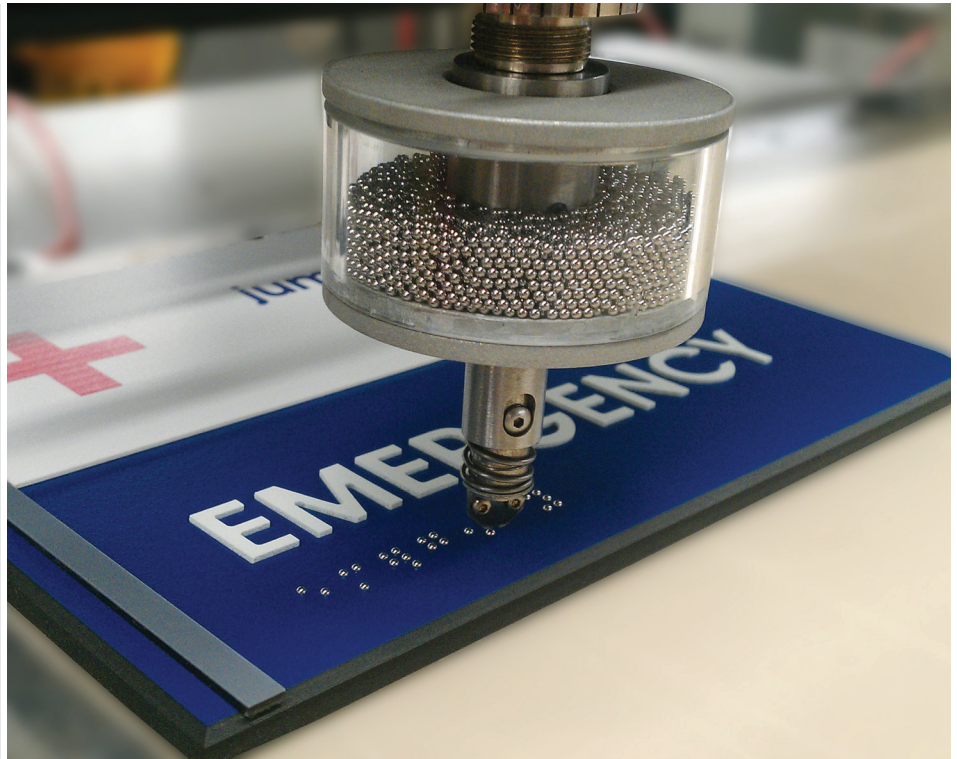
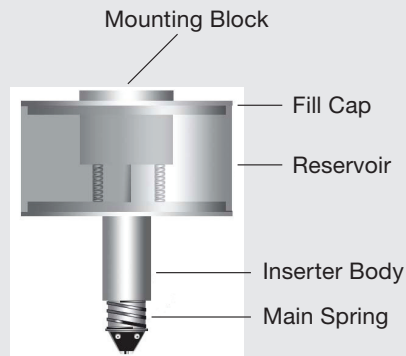


*Fast, easy and convenient,
the Auto-Raster® Universal
simplifies the process of
inserting Raster® spheres.*



Auto-Raster® Universal

The Auto-Raster® Universal Braille dispensing and inserting device is an exciting product that completely automates the process of producing Raster® Braille. It is easy to install, requires no special software and fits most computerized routing/engraving machines. The Auto-Raster® Universal works with your current computerized router/engraver, using existing software, to place Raster® Braille automatically into sign material substrates.

The Auto-Raster® Universal is five times faster than manually placing Raster® spheres and 15 times faster than routing Braille. Simply drill the holes and then re-run the same program with the Auto-Raster® Universal in place. Raster® spheres are automatically dispensed and inserted into the sign material.

Features:

- Easy to install.
- No special software required.
- Fits most existing computerized routing/engraving equipment.
- Accommodates uneven materials up to 3/32 inch and still inserts Raster® spheres at the correct depth.

The Auto-Raster® Universal makes it easy for you to offer your customers the clean look and feel of Raster® Braille.

To
order call
612-377-9156